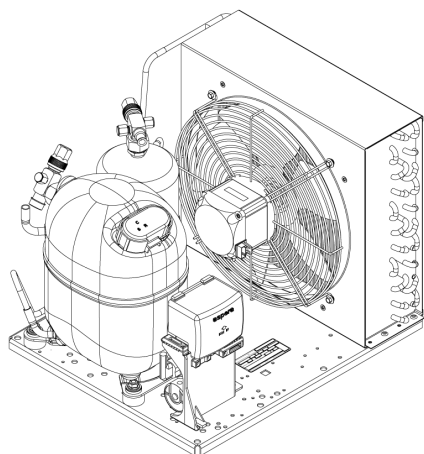


MODEL UNJ9226GK

CODE 644LV5610AA

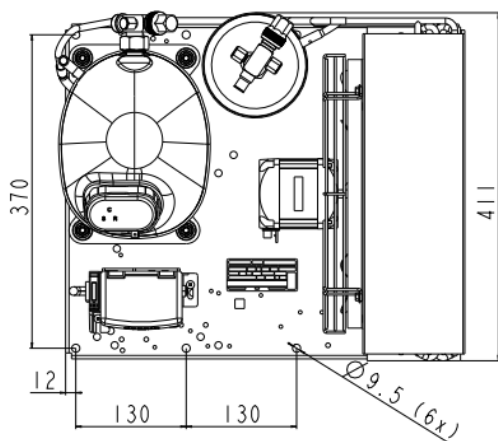
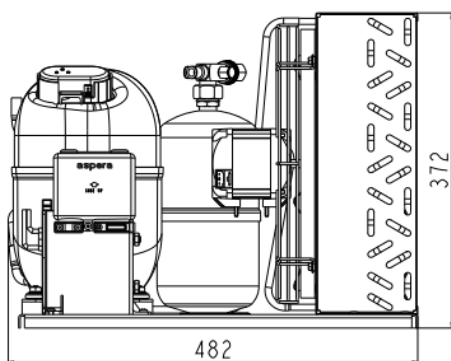
embraco POWER IN. CHANGE ON.



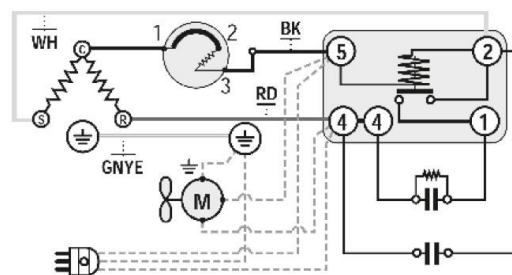
GENERAL DATA

Application:	M/HBP
Refrigerant:	R404A
Expansion Device:	C-V
Weight:	39.6 kg
Receiver:	2.3 liter
Voltage/Frequency:	230 V 50 ~
Height:	39.6 mm
Length:	482 mm
Width:	411 mm
Institute Approvals:	CE

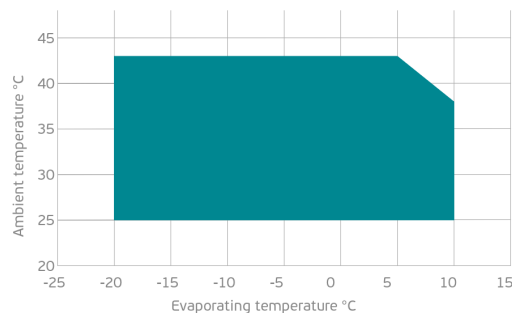
EXTERNAL DIMENSIONS



WIRING DIAGRAM



OPERATING ENVELOPE



COMPONENTS (SPARE PARTS)

valve_disch:	SOLDER 3/8"	2110049	valve_suca:	SOLDER 5/8"	2110054
condenser:	3R14T	2451221	fankit:	34W 300/28°/5B	1996585
elkit:	ELKOM NJ9226GK	944LV1104A	compressor:	NJ9226GK	944LV19..AC

For additional accessories please contact our technical support



MODEL **UNJ9226GK**

CODE **644LV5610AA**

embraco POWER IN. CHANGE ON.

ELECTRICAL DATA

Motor Type: CSR -
 Locked Rotor Amperage (RLA): 27.5 A
 Max.Current: 6.7 A

At maximum evaporating temperature and maximum ambient temperature.

FAN MOTOR

Number: 1 -
 Shaft Power: 34 W
 Air Flow: 700 m³/hod
 Blade Diameter: 300 mm

PERFORMANCE CURVE DATA

Standard: EN13215-RG20 / return gas 20°C, subcooling 3K

		Evaporating Temperature (°C)	Cooling Capacity (W)	Power Consumption (W)	Current Consumption (A)	Efficiency (W/W)
50 Hz						
25°C Ambient Temperature		10°C	3 386	1 496	6.90	2.26
		5°C	2 984	1 367	6.30	2.18
		0°C	2 598	1 244	5.75	2.09
		-5°C	2 232	1 127	5.25	1.98
		Rated point -10°C	1 888	1 018	4.78	1.85
		-15°C	1 567	919	4.36	1.71
		-20°C	1 273	831	3.99	1.53
32°C Ambient Temperature		10°C	3 075	1 542	7.11	1.99
		5°C	2 713	1 410	6.50	1.93
		0°C	2 365	1 282	5.93	1.84
		-5°C	2 033	1 161	5.40	1.75
		Rated point -10°C	1 719	1 049	4.93	1.64
		-15°C	1 425	947	4.50	1.50
		-20°C	1 155	857	4.11	1.35
43°C Ambient Temperature		5°C	2 491	1 470	6.77	1.69
		0°C	2 169	1 334	6.15	1.63
		-5°C	1 859	1 206	5.59	1.54
		Rated point -10°C	1 561	1 087	5.08	1.44
		-15°C	1 279	979	4.62	1.31
		-20°C	1 015	884	4.22	1.15

